

# UNIVERSAL TRAILER WHEELY / WHEELY DUO / TRAIGO 500

Comfort on two wheels



# UNIVERSAL TRAILER WHEELY

## COMFORT ON TWO WHEELS

WHEELY stands out in any conceivable situation with its universal usability. Its sophisticated flexibility ensures the highest level of holiday comfort.

## INSPIRING FUNCTIONS

The modular WHEELY is equipped with well thought-out and inspiring functions. As universal as a Swiss army knife, it can be individually equipped for every purpose and every situation. With the possibility of weight transfer, the motorhome is even relieved. Optional conversion kits such as storage boxes or drop sides extend the range of applications. A completely hot-dip galvanised frame and aluminium anodised components guarantee durability and driving pleasure.

## TECHNICAL DATA

- I Usable area: 2000x800 mm
- I Light bracket can be extended by 300 mm (optional)
- I Loading height: approx. 620 mm
- I Unladen weight without accessories: approx. 215 kg
- I Perm. gross weight: 750 kg
- I Total length unbraked: 1900 - 2500 mm
- I Total length braked: 2100 - 2700 mm
- I Total width: approx. 2250 mm
- I 100 km/h permit possible
- I also available in a braked version up to 950 kg



The base incl. retaining bracket

If the WHEELY is temporarily not in use, the tilting function allows it to be stored in a space-saving 2 m<sup>2</sup> area.



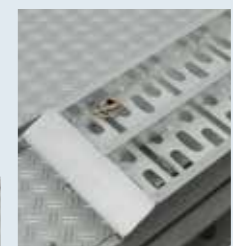
Item name	Item no.	Price in €
Wheely without conversion kit, 750 kg unbraked	1629257	2356
Wheely without conversion kit, 750 kg braked	1629753	2705
Conversion kit for 1 scooter incl. ramp	1629540	260
Conversion kit for 1 motorcycle incl. ramp	1629301	332
TÜV – individual payload increase acceptance from 750 kg to 950 kg	1629813	361
100 km/h permit	1629349	40



Modular frame connection to be able to extend the drawbar lengths up to 300 mm. The axle can be moved to adapt to the load



Foldable ramp elevation. Length unfolded 227 cm, folded 115 cm, load capacity up to 340 kg.



Drive-on rail bracket with safety cotter pin and rubber-protected mount.

# WHEELY DUO – FOR A HOLIDAY FOR TWO

## PLENTY OF LOADING SPACE

To achieve higher load capacities we have also developed the WHEELY with a larger platform for up to two motorcycles. Preparations for mounting options such as spare wheels or storage boxes are already provided as standard under the platform. For an additional charge, you can get the WHEELY Duo with a permissible gross weight of up to 950 kg. The WHEELY Duo has a perm. gross weight of 750 kg with a tare weight from 280 kg as standard. Also ideal for large quad bikes.

## TECHNICAL DATA

- | Usable area: 2000x1550 mm
- | Loading height: approx. 620 mm
- | Total length: 2800 - 3400 mm
- | Total width: approx. 2250 mm
- | 100 km/h permit possible
- | **Braked 750 kg perm. gross weight**
- | Unladen weight 280 kg



Aluminium side walls 300 mm high.



WHEELY DUO	Item no.	Price in €
Wheely Duo 750 kg braked	1629669	3586
Conversion kit 2 motorcycles	1629670	451
Conversion kit TWIZY/QUAD	1884608	694
TÜV – individual payload increase acceptance from 750 kg to 950 kg	1629813	361

# EFFORTLESSLY LOAD HEAVY MOTORCYCLES

## MOTORBIKE LOADING AID

Your motorcycle or scooter is simply driven into the front wheel rocker on the sled and lashed in place. With the aid of the hand cable winch, your machine can then be pulled onto the loading area of your trailer without much effort. Due to the round tubes on the sides, the carriage glides over the drive-up rail without any problems. It is quickly stowed away thanks to the interlocking individual parts.

## AT A GLANCE

- I Smooth-running AL-KO manual cable winch
- I Curved ramp rail, consisting of 2 interlocking individual parts
- I Drive-on rail can be loaded up to max. 370 kg
- I Front wheel rocker with practical sled
- I Max. rear tyre width 195 mm. Other tyre widths are possible through optionally available components
- I Weight approx. 60 kg
- I Versatile use, e.g. on pick-ups, in vans or box trailers.

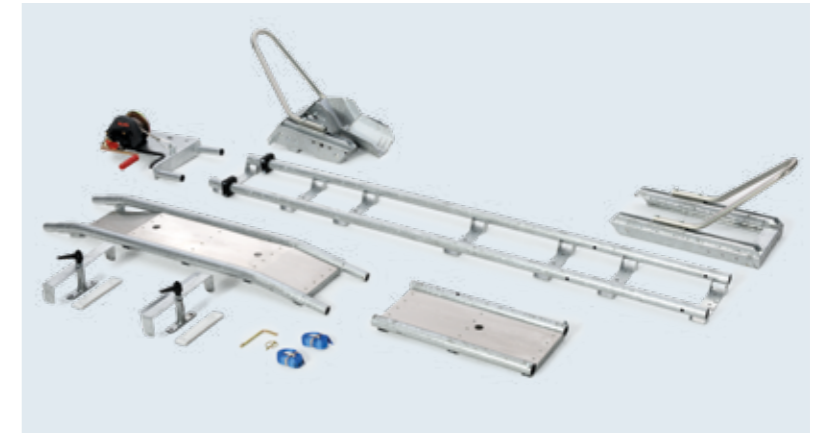
MOTORBIKE LOADING AID		
For scooter	1886878	1229
For rear wheel width up to 180 mm	1629546	
For rear wheel width up to 250 mm	1886876	
For rear wheel width over 250 mm	1886877	
Conversion kit 2nd motorcycle for WHEELY DUO		
Scooter	1886881	655
For rear wheel width up to 180 mm	1629820	
For rear wheel width up to 250 mm	1886879	
For rear wheel width over 250 mm	1886880	

### More information?

Our flyer "Motorcycle loading aid" is available for download at [www.sawiko.com/downloads](http://www.sawiko.com/downloads).

## SCOPE OF SUPPLY

- I 2-part ramp
- I AL-KO manual cable winch
- I Sled with front wheel rocker
- I 2 wheel chocks
- I Rail on the loading area
- I Fastening set for ramp



Retrofitting box trailer or in the rear garage possible.



Ramp safely stowed away



AL-KO manual cable winch



## FRONT WHEEL SLED

The front wheel is simply pushed onto the rocker. Once the machine is completely on the sled, it only needs to be lashed down.

# TRAILERS

## ACCESSORIES AND CONVERSION KITS



WHEELY	Item no.	Price in €
WHEELY single-axle trailer without conversion kit	1629257	2356
WHEELY braked version without conversion kit	1629753	2705
TÜV – individual payload increase acceptance 750 kg to 950 kg, braked	1629813	361
100 km/h permit	1629349	40
CONVERSION KITS		
Conversion kit for 1 scooter	1629540	260
Conversion kit for extendable bumper	1629258	262
Conversion kit 1 bicycle on extendable bumper	1629675	141.50
Conversion kit 1 bicycle in front of retaining strap	1884603	198
Conversion kit for 1 motorbike	1629301	335
MP3 conversion kit with three-part loading ramp	1629346	498
Conversion kit 2 bicycles in front of retaining strap	1629348	258
Conversion kit 2 bicycles on extendable bumper	1629259	275
Conversion kit Twizy/QUAD for WHEELY DUO	1884608	694
Conversion kit 4 bicycles on the platform	1887825	533
Conversion kit load area extension to 1100 mm	1629739	465
Changeover unbraked to braked	1887506	827
Mechanical lift device for motorcycles	1629546	1229
STORAGE SPACE		
Ultra Box 360 lockable for V-drawbar	1629543	676.50
WHEELY aluminium side walls, 300 mm high	1629548	384.50
WHEELY aluminium side walls, 600 mm high	1623464	697
WHEELY Duo aluminium side walls, 300 mm high	1629857	498
WHEELY Duo aluminium side walls, 600 mm high	1884609	900
Aluminium box for V-drawbar, lockable (only in combination with 1629260)	1629261	297
V-drawbar basic holder (necessary for aluminium box)	1629260	120
ACCESSORIES		
Spare wheel carrier for trailer wheel	1629249	89
Spare wheel 195/50/R13 loose on steel rim	1629413	191.50
Folding lock for unbraked trailer (not suitable for braked version)	1629547	113
Lock for braked trailer	1732594	102
Spare wheel carrier for towing vehicle wheel under the platform (max. tyre width 210)	1629676	128
*Basic* strap set	1629542	66
*Premium* strap set with hooks and Spannfix	1629302	128
Manual cable winch with deflection	1629347	128
Folding, drive-on ramp, curved, up to 340 kg load	1629284	150.50
Holding arm to secure trailing arm	1629541	+97
Additional ring bolts set of 4	1629304	14
MP3 ramp elevation	1629626	39
Main bracket in front of platform for Boxer engines	1884599	20
Basic holder lowered for braked trailer	1884604	119



Ultra Box 360 lockable – W147 x H70 x D38 cm



Conversion kit 1 motorcycle incl. ramp



Conversion kit 2 bicycles in front of retaining strap (fig. similar)



Conversion kit three-wheel scooter with 3-part ramp



Aluminium side walls 600 mm high on WHEELY



Aluminium side walls 300 mm high on WHEELY Duo



Aluminium box for V-drawbar plus V-drawbar holder (spray water-proof)



Strap set basic



Conversion kit 2 bicycles on extendable light bracket (fig. similar)



Lock for braked trailer

Folding lock for unbraked trailer



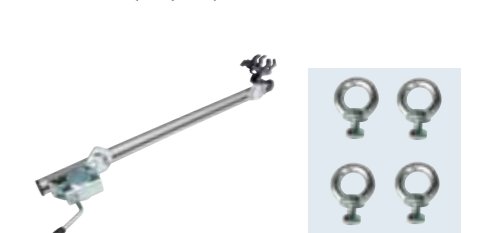
Spare wheel carrier for towing vehicle (Note tyre size)



Strap set premium



Foldable ramp elevation



Motorcycle holding arm

Ring bolt set

# TRAIGO 500 – LIGHT AND COMPACT

## EASY TO USE

The TRAIGO 500 with an aluminium platform has an unladen weight of only approx. 150 kg. The low weight makes it easy to process. The payload is approx. 350 kg. The integrated rails in the platform mean the optional wheel straps for scooters or wheel chocks for up to 4 bikes can be adjusted and easily retrofitted.

The basic model is equipped with the aluminium platform as well as the clamping strap and an AL-KO towing device/axle. In addition, the trailer features a quality hot-dip galvanised frame, 13" tyres, 4 lashing rings for securing loads and a rear support to safely park the trailer when loaded.

## TECHNICAL DATA

- I Unladen weight: approx. 150 kg
- I Load capacity: approx. 350 kg
- I Permitted gross weight: 500 kg
- I Length/width: 1830/1950 mm
- I Usable area: 1900 x 720 mm
- I Platform height: 640 mm
- I Total height: 1410 mm

## OPTIONALLY AVAILABLE

- I Marker lights (L/R)
- I Scooter conversion kit
- I Bicycle conversion kit for max. 6 bicycles
- I Additional lashing ring
- I Strap sets for securing scooter/motorcycle
- I 100 km/h permit



Conversion kit for 1 scooter



Basic version



Conversion kit for 2 bicycles over the drawbar



Conversion kit for 1 scooter with optional premium lashing strap set.



Conversion kit for 4 bicycles on the platform

Article description	Item no.	Price in €
TRAIGO 500 basic version	1629683	1899
Conversion kit for 1 scooter	1629685	214
Conversion kit 4 bicycles on platform	1629783	436
Conversion kit 2 bicycles on platform (not illustrated)	1629784	251
Conversion kit 2 bicycles over the drawbar	1629743	315
Right steady leg incl. housing and spring bolt	1629760	70
Clearance light, long version incl. adapter plate	1629761	108



Wheel chocks with quick-release ratchet for bicycles.



Rear supports – so that you can safely load your TRAIGO 500.



Folding ramp. Up to 340 kg load.



Infinitely adjustable wheel chocks for scooter.



## CONVENIENT AND VERSATILE

Rear carrier systems are not designed for extremely heavy loads. Compact trailers are the better solution for motorcycles or quad bikes. Such a trailer can also be worthwhile for several bicycles or one or two scooters, for example if you want to keep your motorhome's weight down.

Member of **DEXKO**  
GLOBAL

**ALOIS KOBER GMBH**  
**SAWIKO branch**  
Ringstraße 3  
49434 Neuenkirchen-Vörden  
Germany  
Tel: +49 5493 - 99 220  
E-mail: [info@sawiko.de](mailto:info@sawiko.de)  
[www.sawiko.com](http://www.sawiko.com)



Visit AL-KO at  
[facebook.com/alko.caravaning](https://facebook.com/alko.caravaning)